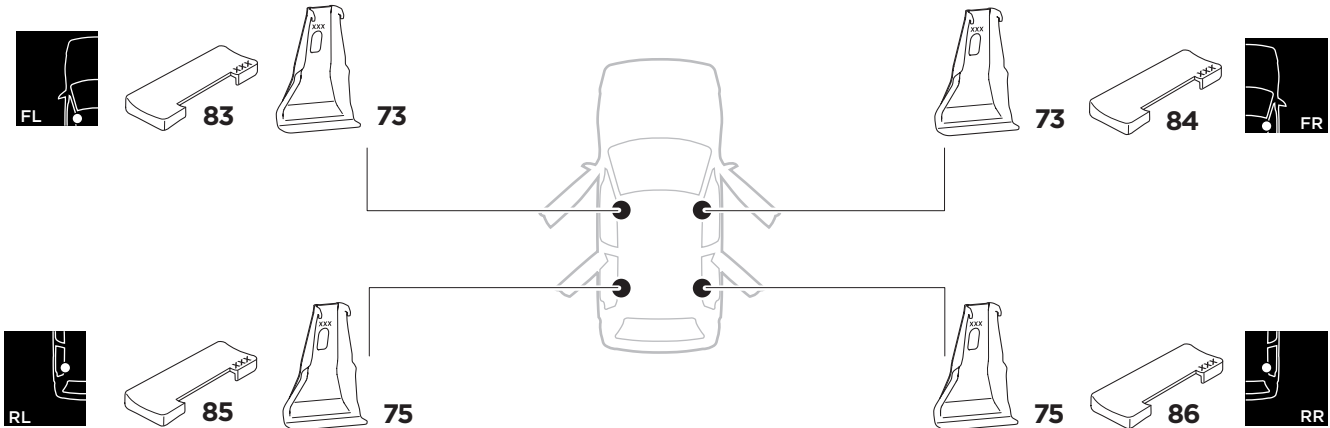
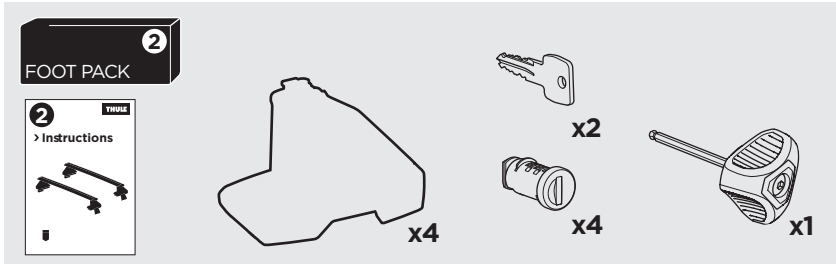
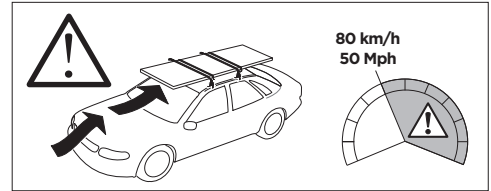
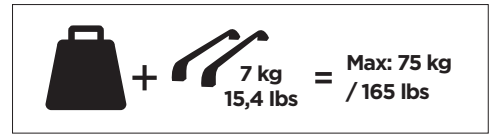
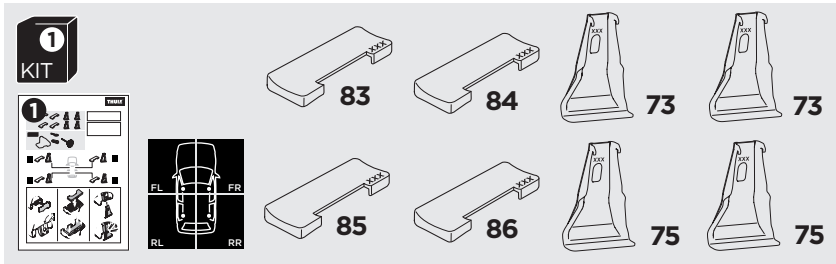


# 1

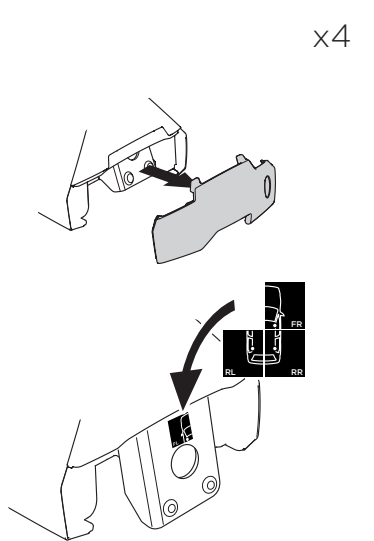
## Kit 5020

FORD Mondeo (Mk. V), 5-dr Hatchback, 15-

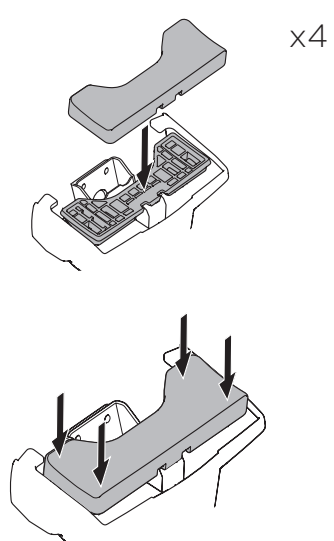
ISO 11154-E



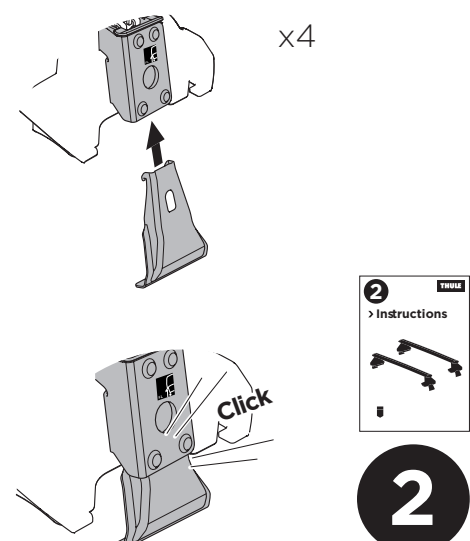
### 1 KIT + FOOT PACK



### 2

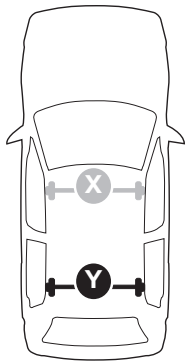


### 3





THULE WingBar Evo	THULE WingBar Edge	THULE WingBar	THULE SquareBar	<b>Evo X (scale)</b>	<b>Edge X (scale)</b>
<b>FORD Mondeo (Mk. V), 5-dr Hatchback, 15-</b>				<b>45,5</b>	<b>F</b>
THULE ProBar	THULE SlideBar				<b>X (mm/inch)</b>
<b>FORD Mondeo (Mk. V), 5-dr Hatchback, 15-</b>				<b>1106 mm / 43 1/2"</b>	



THULE WingBar Evo	THULE WingBar Edge	THULE WingBar	THULE SquareBar	<b>Evo Y (scale)</b>	<b>Edge Y (scale)</b>
<b>FORD Mondeo (Mk. V), 5-dr Hatchback, 15-</b>				<b>44</b>	<b>I</b>
THULE ProBar	THULE SlideBar				<b>Y (mm/inch)</b>
<b>FORD Mondeo (Mk. V), 5-dr Hatchback, 15-</b>				<b>1091 mm / 43"</b>	

	<b>W (mm/inch)</b>	<b>Z (mm/inch)</b>
<b>FORD Mondeo (Mk. V), 5-dr Hatchback, 15-</b>	<b>780 mm / 30 3/4"</b>	<b>230 mm / 9"</b>

